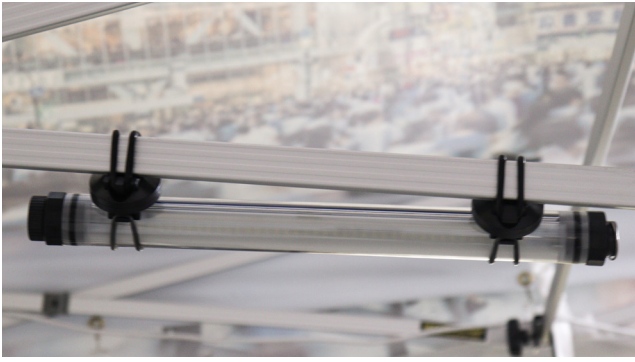
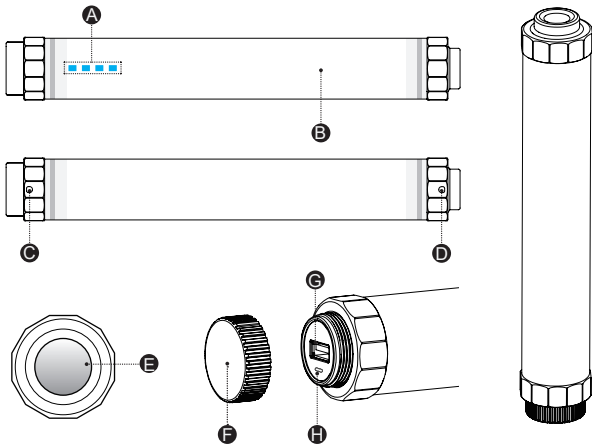




EXTREME MARQUEES
ADVENTURE RANGE
LED FRAME LIGHT
INSTRUCTION MANUAL




PRODUCT ILLUSTRATION



- A** Power / Charger Indicator
- B** Light-emitting Area
- C D** Lanyard Hole
- E** On/Off Switch (Glow in the dark)
- F** Waterproof Cap
- G** USB Output Port
- H** Type-C Charging Port

Modes	Brightness	Battery Life
Low	8%	~80 Hours
Medium	50%	~14 Hours
High	100%	~8 Hours
Flash	50%	~27 Hours

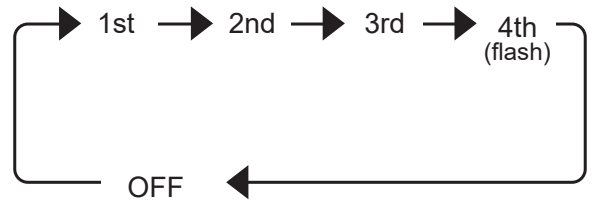


In the following situations, immediately cut off the power supply and seek help from a technician.

- Any liquid, including rain or water, spills into the product that will damage electronic components.
- Products gives off gas or have an unusual flickering.
- The cable is damaged and one can see the bare wire.
- The shell is broken.

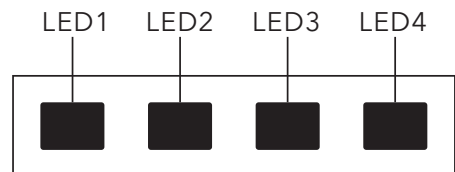
OPERATION INSTRUCTIONS

1. Press the button to turn the light on, press it again to adjust the brightness from low to high. The last mode is flashing light.
2. Hold the button for 2 seconds while in any setting to turn off light.
3. While in any light setting, the light will automatically turn down to the lowest brightness when it charge to other mobile devices for protecting itself.



POWER INDICATOR

- The LED blue light will flash when the battery is low.
- The blue LED light will flash during charging.
- The blue LED light will glow steady when full charged.
- It takes 7 hours to charge it fully via a 5V 2A adapter, 12 hours via a 5V 1A adapter.



GENERAL MAINTENANCE

Use a soft, dry cloth to wipe the surface. Do not use liquids or solvents as this may damage the surface.

