



# EXTREME MARQUEES

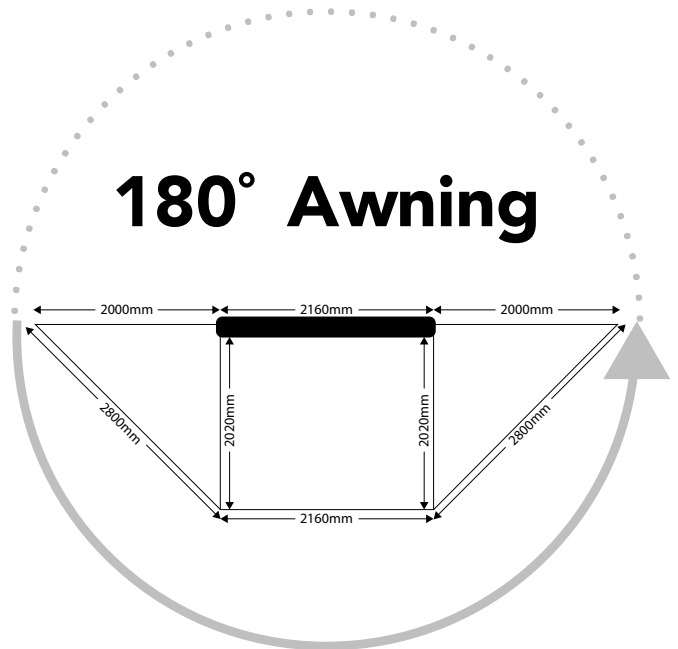
## CAR AWNING RANGE

### DESERT SHADE 180°

#### SPECIFICATION SHEET

| Specifications   | Size                                   |
|------------------|--|
| Shade Area       | 8m <sup>2</sup> UPF 50+ Sun Protection |
| Poles            | Drop Down Aluminium Twist Lock         |
| Fabric           | 280GSM Grey Poly Cotton Canvas         |
| Protective Cover | Heavy Duty 1000D PVC                   |
| Box Dimensions   | 221cm x 18cm x 15cm (L x H x W)        |
| Weight           | 20kgs                                  |
| Warranty         | 12 months                              |
| Package Includes | Awning, Mount Brackets, Pins & Ropes   |
| Set-up/Pack-down | One Person                             |

The Desert Shade 180° is part of Extreme Marquees new Adventure Range. It is easily mounted to most roof racks and provides a large area of shade covering one side of a vehicle. The Awning is free standing however includes 4 optional fold down legs for extra support if needed.



DESERT SHADE **OPEN**



DESERT SHADE **CLOSED**



BIRDS-EYE VIEW **180°**

