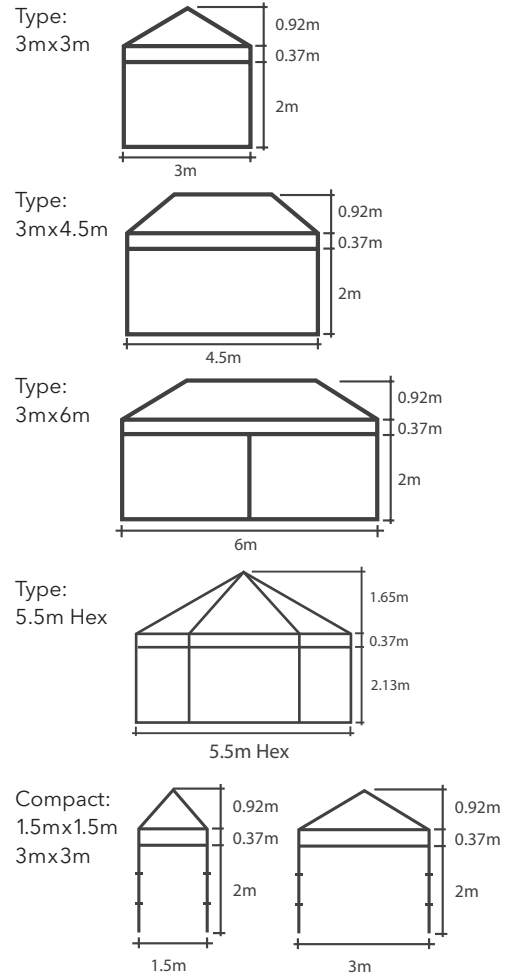


ITEM	SPECIFICATION				COMPACT FRAME	
	3x3m	3x4.5m	3x6m	5.5m Hex	1.5x1.5m	3x3m
Size	3x3m	3x4.5m	3x6m	5.5m Hex	1.5x1.5m	3x3m
Height	3.29m	3.29m	3.29m	4.02m	3.29m	3.29m
Clearance	2m	2m	2m	2m	2m	2m
Frame Box Dimensions	165x25x25cm	165x33x25cm	165x42x25cm	163x56x46cm	108x26x26cm	110x33x33cm
Frame Weight	15kg	19.4kg	26.5kg	60kg	13kg	17kg
Roof Weight	POLY 7kg PVC 11kg	9.5kg 17kg	13kg 19kg	- 22kg	4kg -	7kg -
Main Profile	45mm x 40mm x 1mm					
Truss Bars	25mm x 12.5 x 1437mm					
Framework	Aluminium 6005/T5 T6063					
Pull Ring System	Yes					
Roof Tension	Spring					
Nuts & Bolts	Stainless Steel					
Connectors	Nylon (double bracket)					
Feet	100 x 100mm				80 x 80 x 105mm	
Zinc Coated Steel						
Fabric	Plain 500D PVC Coated Polyester Printed 600D PU Coated Polyester 580GSM PVC					
Marquee Includes	Tie Down Ropes, Steel Pins & Wheeled Protective Cover*					
Manufacturer's Warranty	Frame 1 Year / Polyester Fabric 1 Year / PVC 2 Year					

TECHNICAL DIAGRAMS



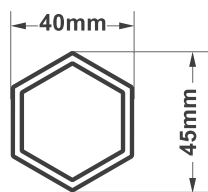
ADDITIONAL INFORMATION

The X6 Velocity marquee features a stylish hexagonal profile which is essential for strength whilst maintaining a lightweight portable frame. The X6 is suitable for sport carnivals, pop-up businesses and outdoor events or promotions.

The X6 business marquee is available in two frame styles Standard and Compact, up to five sizes, ten roof colours and custom printing available from a single valance print all the way up to full custom digitally printed roof and wall packages.

The compact frame is an ideal solution when there is restricted space in transportation or storage space is limited, the compact frame folds down to approximately 1100mm high and fit most Sedans*.

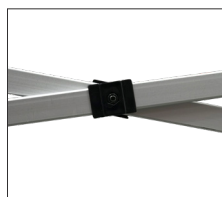
FRAME DETAIL



45mm Frame Profile



Aluminum Connectors



Reinforced Truss Bars



Roof Tensioning



Pull Ring Height Adjustment



Commercial Feet