

➕ Zoom in to view your artwork (Ctrl+equal sign)

**TYPEFACE / FONT USED**

**ARIAL - BOLD**

The font shown in the above box indicates the font used on your order.  
Any free to download font can be used or alternatively please supply your font.  
**Please state to our Graphics Coordinator if you require this changed.**

**PMS COLOUR MATCHING**

All printing is done using CMYK on a large format printer. Pantone Colours / PMS can be supplied they will be converted to a CMYK breakdown for digital printing.  
**Please state to our Graphics Coordinator if you require colour matching to either a PMS colour or a physical sample.**  
While we make every effort to match PMS colours, slight variation in colour will occur.

**BINDING COLOUR - POLY ROOF ONLY**

**WHITE**

*Binding - The fabric used to join roof panels together.*  
The colour shown in the above box indicates the colour of the binding used on your order.  
Any Standard Colour from our range can be selected to complete your order.  
**Custom coloured binding is available, please contact our Graphics Coordinator for a quote.**

**NON-PRINTED SIDE - POLY ROOF & WALLS ONLY**

**WHITE**

*Colour of the non-printed side of fabric*  
As a standard all printed fabrics are white on the reverse, the colour shown in the above box indicates the reverse side of the printed fabric on your order.  
**Please select from WHITE or BLACK**  
*Other colours are available RED, YELLOW, GREEN or BLUE\**  
Please note these will vary from standard colour range.

**VALANCE FLAP - UNIQUE FEATURE NOT STANDARD**

**NOT APPLICABLE ON THIS ORDER**

*Applicable for Detachable Valances or New Style Awnings.*  
As a standard the colour of your Valance Flap is matched to the main background colour of the artwork on the Valance of your marquee.  
**Please review the colour shown.**  
**Please state to our Graphics Coordinator if you require this changed.**

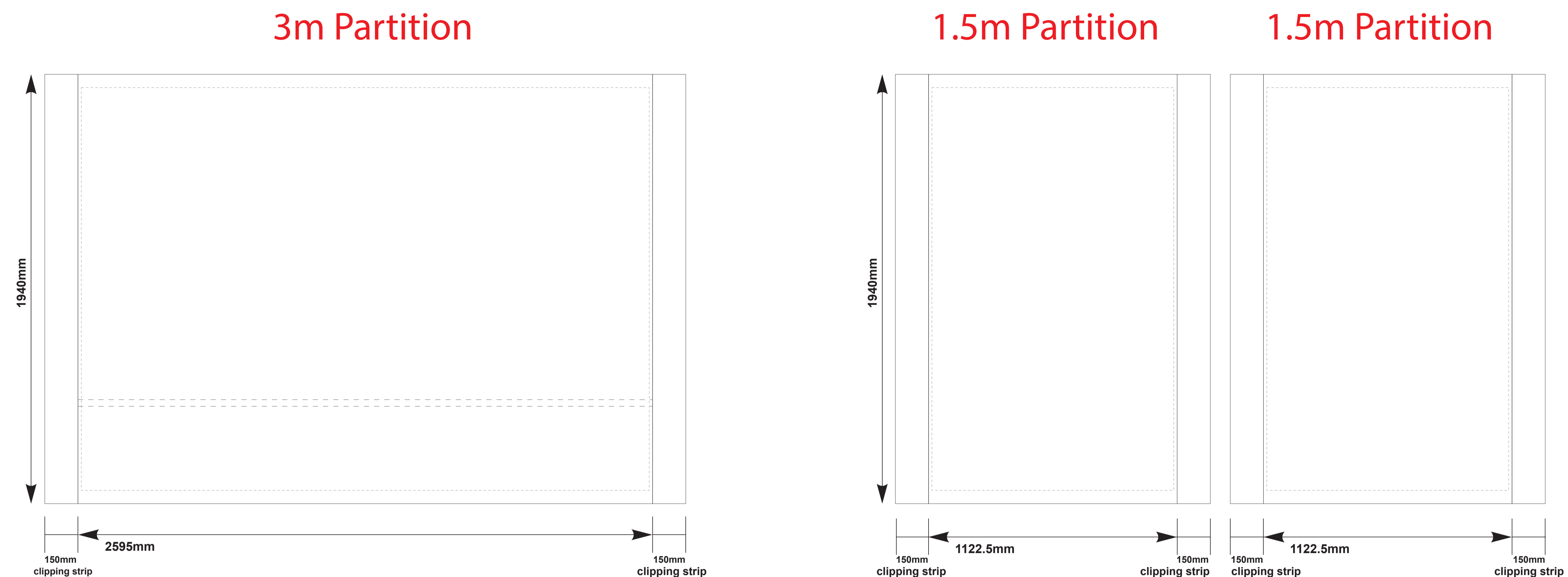
**STANDARD COLOUR RANGES** POLY: 500D PVC Coated Polyester    PVC: Imported Belgian 100% PVC

PVC	White	Black	Maroon	Red	Green	Blue	Yellow	Orange	Light Blue	Pink
	CMYK: 0,0,0,0 Pantone: 382	CMYK: 100,0,0,0 Pantone: 690	CMYK: 63,50,78,1 Pantone: 284	CMYK: 100,0,0,0 Pantone: 690	CMYK: 0,100,0,0 Pantone: 342	CMYK: 0,0,100,0 Pantone: 286	CMYK: 100,0,0,0 Pantone: 108	CMYK: 100,0,0,0 Pantone: 108	CMYK: 0,0,100,0 Pantone: 286	CMYK: 100,0,0,0 Pantone: 286
POLY	White	Black	Maroon	Red	Green	Blue	Yellow	Orange		
	CMYK: 0,0,0,0 Pantone: 382	CMYK: 100,0,0,0 Pantone: 690	CMYK: 63,50,78,1 Pantone: 284	CMYK: 100,0,0,0 Pantone: 690	CMYK: 0,100,0,0 Pantone: 342	CMYK: 0,0,100,0 Pantone: 286	CMYK: 100,0,0,0 Pantone: 108	CMYK: 100,0,0,0 Pantone: 108	CMYK: 0,0,100,0 Pantone: 286	CMYK: 100,0,0,0 Pantone: 286

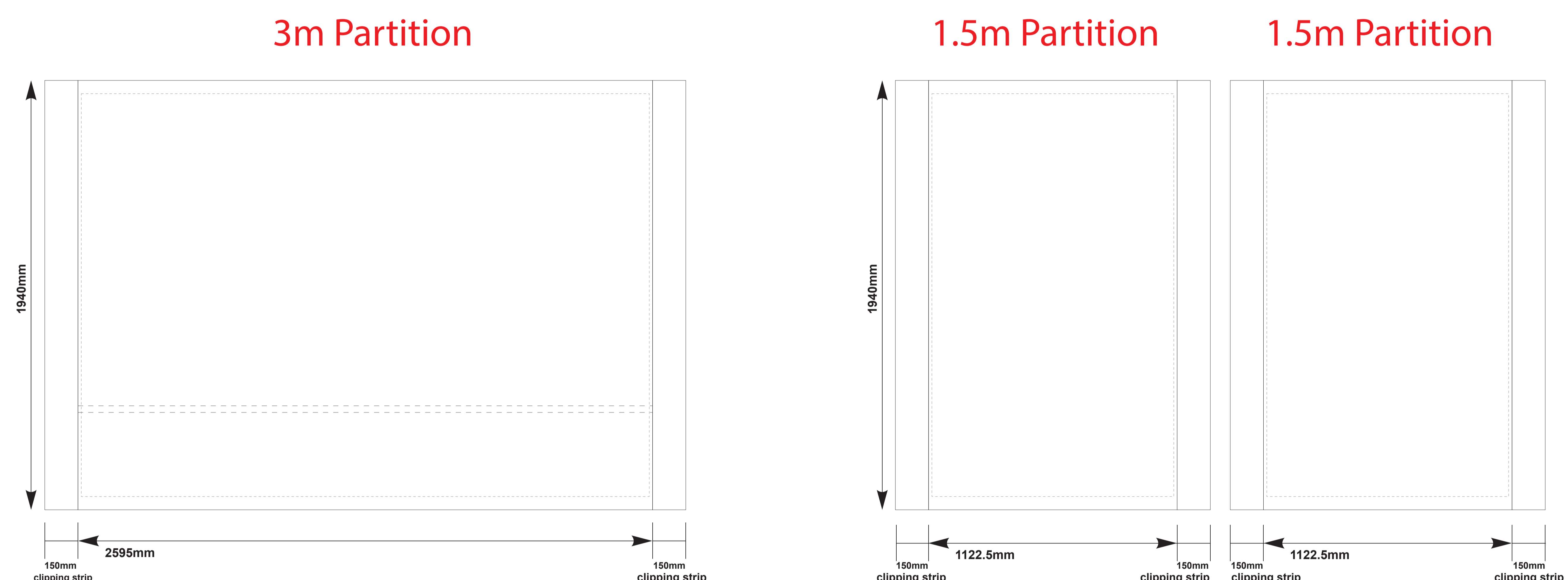
**PREMIUM COLOUR RANGES** POLY: 500D PVC Coated Polyester    PVC: Imported Belgian 100% PVC

PVC	Grey Granite									
	CMYK: 23,26,34,32 Pantone: 485									
POLY	Ivory	Nude	Fawn II	Navy Blue	Deep Ocean Blue	TheBaggy Green	Apple Green	Candy Pink	Lollipop Purple	Cola Red
	CMYK: 1,8,0,0 Pantone: 382	CMYK: 23,21,16,1 Pantone: 485	CMYK: 6,9,12,4 Pantone: 382	CMYK: 15,15,12,1 Pantone: 286	CMYK: 15,15,12,1 Pantone: 286	CMYK: 10,10,12,1 Pantone: 286	CMYK: 10,10,12,1 Pantone: 286	CMYK: 15,10,24,1 Pantone: 214	CMYK: 15,10,24,1 Pantone: 214	CMYK: 100,0,0,0 Pantone: 286

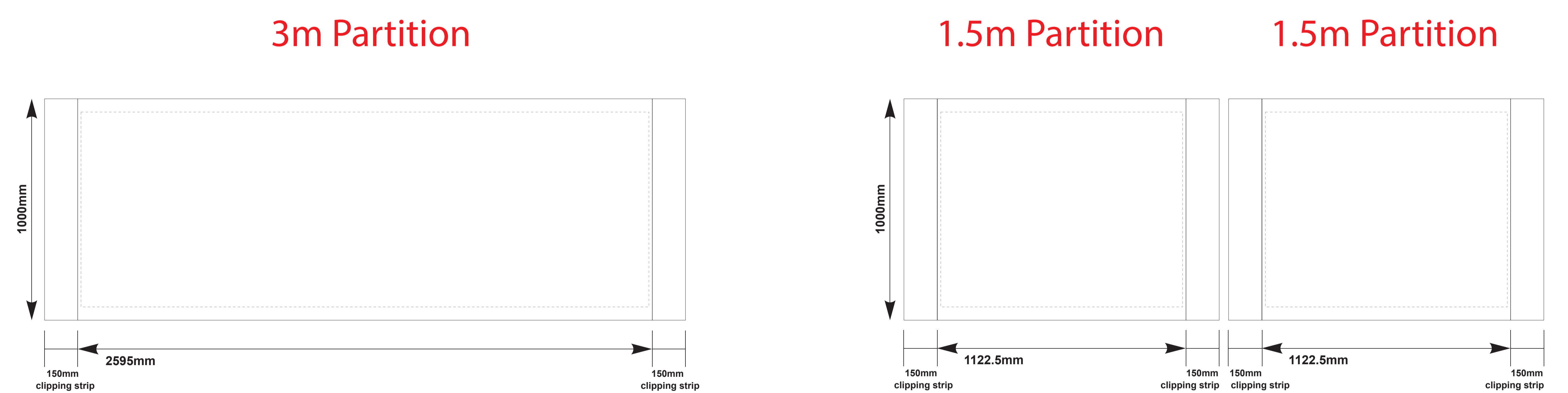
## INSIDE FULL PARTITIONS



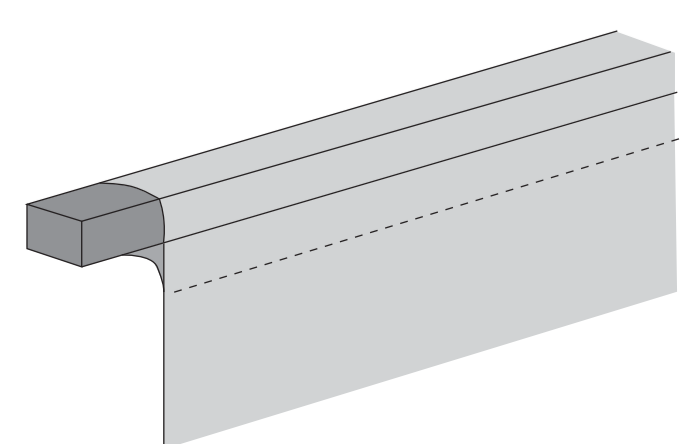
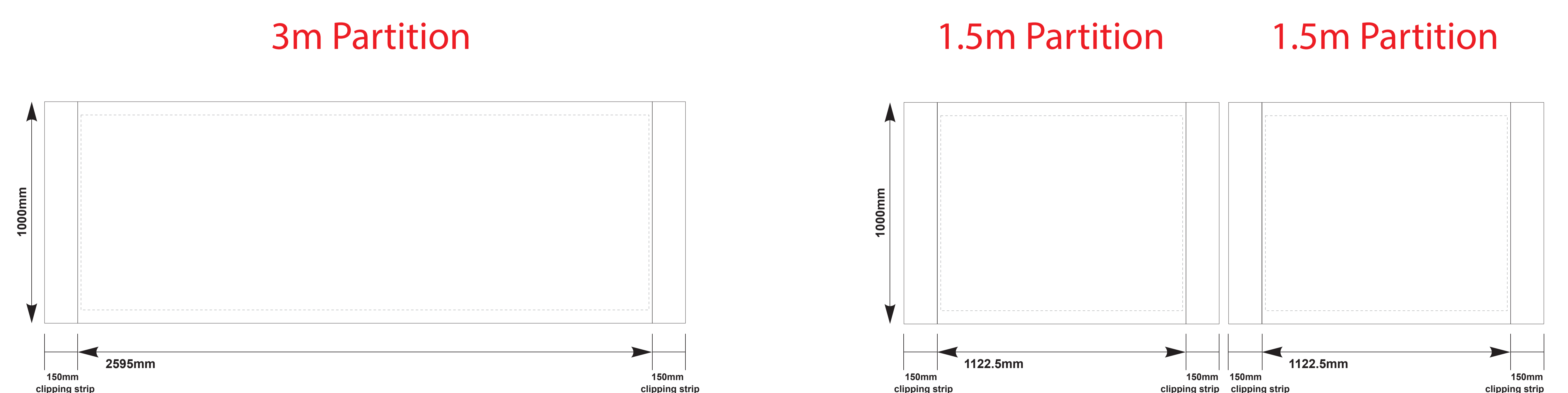
## OUTSIDE FULL PARTITIONS



## INSIDE HALF PARTITIONS



## OUTSIDE HALF PARTITIONS



**Half Wall Note:**  
Half Walls are folded over a crossbar and attached onto the track (as shown).  
For outside half wall printing, the artwork should be up to the designated 'Top of the half wall line'. On the inside half wall artwork should finish at the stitching line.

**Key**

— Edge of panel  
- - - - - Stitching line  
- - - - - Top of the half wall

**Please Note:**  
All printing is done using CMYK on a large format printer. Pantone Colours / PMS can be supplied and they will be converted to a CMYK breakdown for digital printing.  
Please state to our Graphics Coordinator if you require colour matching to either a PMS colour or a physical sample. While we make every effort to match PMS colours, slight variation in colour can occur.

Please also keep in mind that colours displayed on a device or monitor can differ from the final printed product.  
Every effort is made to match colours between products types, there can be variation between colour from Polyester Marquee fabrics, PVC Marquee material and Banner Fabrics.

This template is designed at 10% scale of the final product.  
Please refer to the 'Bleed' layer to build your artwork and place artwork on the 'Design Layer' of this document. Rasterised (Photoshop) artwork to be supplied at a minimum 300dpi to suit this template size.

Copyright Extreme Marquees 2019

➕ Zoom in to view your artwork (Ctrl+equal sign)