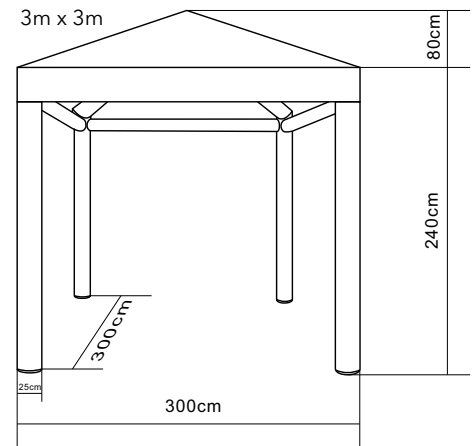




ITEM	SPECIFICATION
Size	3m x 3m
Height	320cm
Clearance	240cm
Frame Weight	14.75kg
Roof Weight	4kg
Box Dimensions	70 x 38 x 38cm
Frame Profile Diameter	260mm
Framework	Thermoplastic polyurethane (TPU) with sleeve
Frame Colours	Black, Blue, Red and White ●●●○
Fabric	Plain 500D PVC Coated Polyester
Plain / Printed	Printed 600D PU Coated Polyester
Inflatable Includes	Tie Down Ropes, Steel Stakes, Protective Cover, Battery Electric Pump, 15kg Water Weights
Manufacturer's Warranty	Frame 5 Year / Polyester Plain & Printed 1 Year

TECHNICAL DIAGRAM



ADDITIONAL INFORMATION

The EMF 3x3m inflatable marquee is a lightweight, high-pressure inflatable shelter that can easily fit into the boot of the smallest car. The set-up is fast and easy - simply roll it out and inflate!

The roof of this compact inflatable marquee can also remain attached to the frame for even faster set-up. The legs have additional valves so that water can be added to provide ballast and stability when used outdoors. The EMF inflatable tent, like all our custom inflatable shelters, can be custom printed with a range of options.

