



PERGOLA RANGE

THE EPITOME OF LUXURY OUTDOOR SHADING

3m x 3m | 3m x 4m | 3m x 6m | 4m x 6m

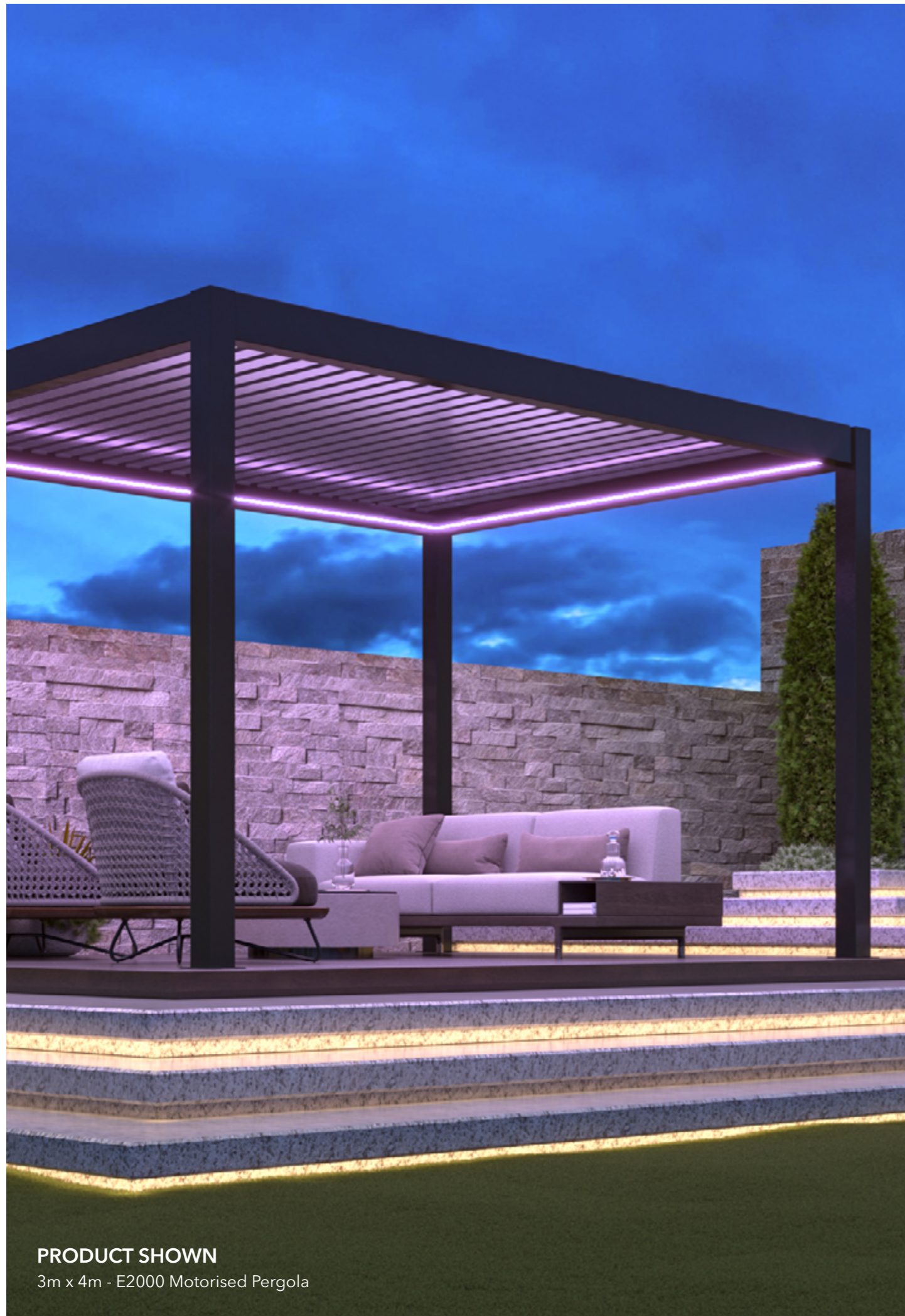




PRODUCT SHOWN

3m x 3m - E2000 Manual Pergola





PRODUCT SHOWN

3m x 4m - E2000 Motorised Pergola

PERGOLA RANGE

Extreme Marquees Pergolas are a game-changer in the world of outdoor shelter solutions. With their unique design, durability, versatility, and customisation options, they offer a superior option for those looking to add a touch of elegance and functionality to their outdoor space. Whether for residential or commercial use, Extreme Marquees' Pergolas are a top choice for those seeking a high-quality and stylish outdoor shelter solution.



E2000 Manual Pergola

3m x 3m, 3m x 4m, 3m x 6m, & 4m x 6m



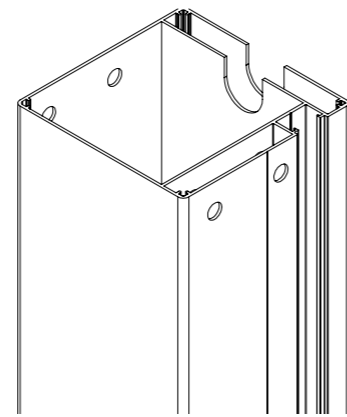
E2000 Motorised Pergola

3m x 3m, 3m x 4m, 3m x 6m, & 4m x 6m



Specifications

E2000 Manual Pergola

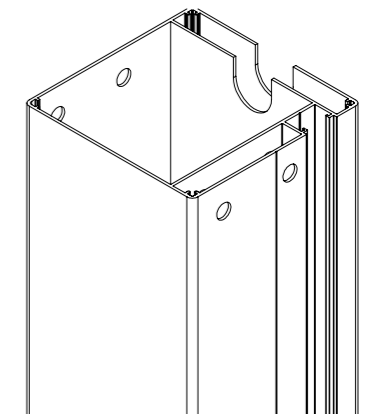


Main Frame profile
120mm x 120mm x 1.8mm thickness

Size	3m x 3m	3m x 4m	3m x 6m	4m x 6m
Height	2.48m			
Clearance (H)	2.33m			
Clearance (L / W)	3.8m (4m section) 2.6m (3m section)			
Total Weight	165kg	205kg	293kg	371kg
Frame Profile	120mm x 120mm x 1.8m			
Beam & Gutter	150mm x 92.5mm x 1.5mm			
Louver Blade	162.1mm x 30m x 1.4mm			
Louver Blade Max Angle	85°			
Open / Close Louver Roof	Manual hand crank			
Base	Die-casted Base Plate Cover			
Frame Colour	Powder Coated RAL 7016 Anthracite Grey			
Engineer Certificate	Yes			
Roof Weight Capacity	140kg per m ²		90kg per m ²	
Wind speed	180km/h		151km/h	
Optional Accessories	Manual Pergola Zip Screen (3m & 4m)			
Includes	Pergola Frame, Manual Control Rod & Hand Crank, Louvre Blades & Driving Blade			
Warranty	Frame 15 years Powder Coating 5 Years			

Specifications

E2000 Motorised Pergola



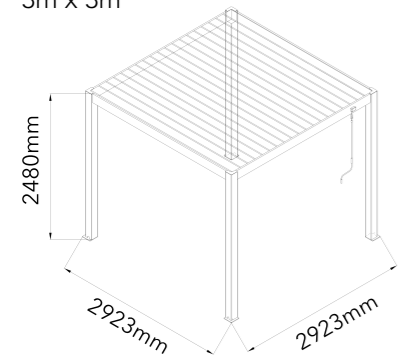
Main Frame profile
120mm x 120mm x 1.8mm thickness

Size	3m x 3m	3m x 4m	3m x 6m	4m x 6m
Height	2.5m			
Clearance (H)	2.33m			
Clearance (L / W)	3.8m (4m section) 2.6m (3m section)			
Total Weight	170kg	209kg	299kg	376kg
Frame Profile	120mm x 120mm x 1.8m			
Beam & Gutter	175mm x 92.5mm x 1.5mm			
Louver Blade	162.1mm x 30m x 1.4mm			
Louver Blade Max Angle	85°			
Open / Close Louver Roof	Remote Control			
Base	Die-casted Base Plate Cover			
Frame Colour	Powder Coated RAL 7016 Anthracite Grey			
Engineer Certificate	Yes			
Roof Weight Capacity	140kg per m ²		90kg per m ²	
Wind speed	180km/h		151km/h	
Optional Accessories	Manual Pergola Zip Screen (3m & 4m)			
Includes	Pergola Frame, Manual Control Rod, Motor, LED Light Strip, Remote Control, Louvre Blades & Driving Blade			
Warranty	Frame 15 years Powder Coating 5 Years Motor & Remote Control 3 Years LED Light 2 Years			

Technical Information

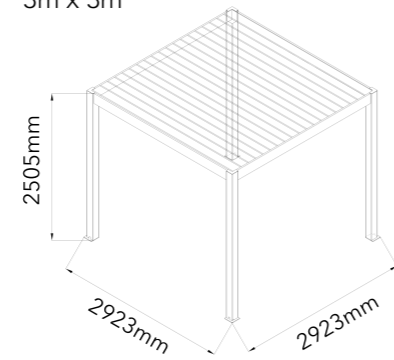
Manual

3m x 3m



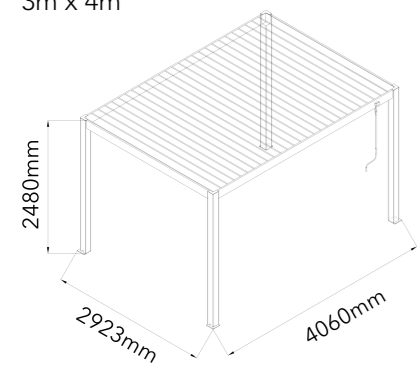
Motorised

3m x 3m



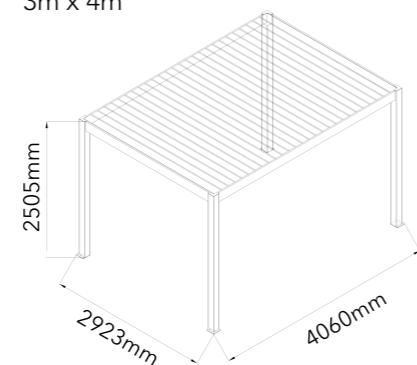
Manual

3m x 4m



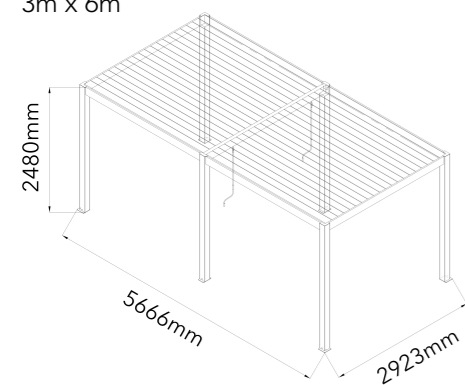
Motorised

3m x 4m



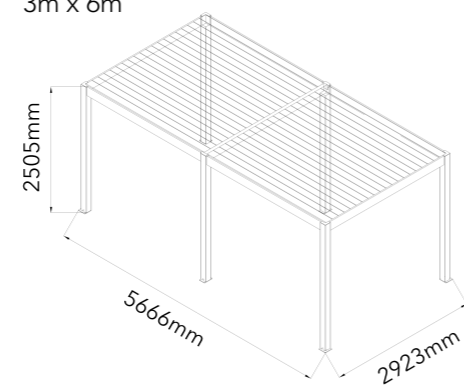
Manual

3m x 6m



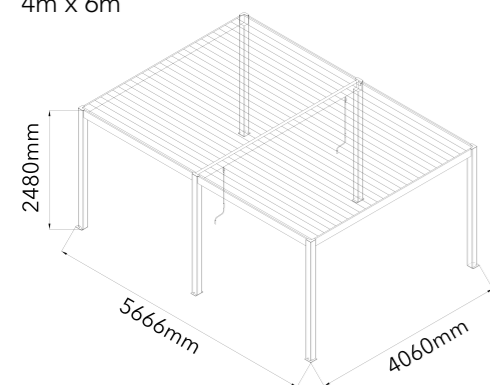
Motorised

3m x 6m



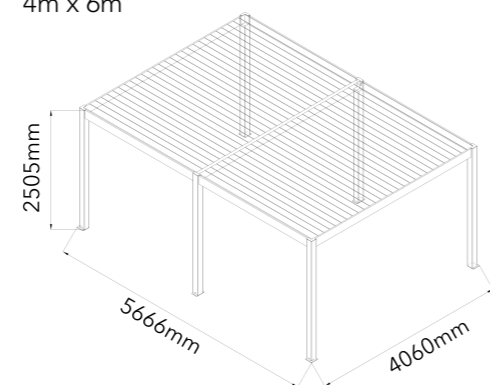
Manual

4m x 6m



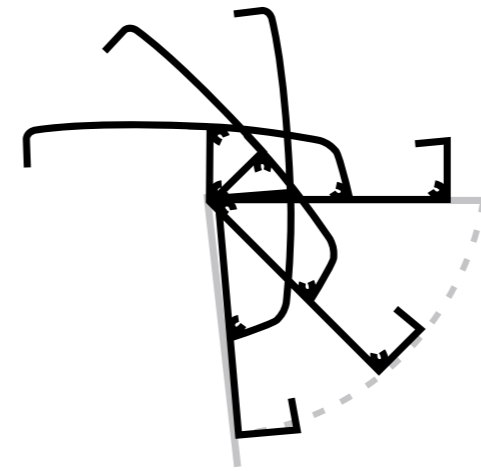
Motorised

4m x 6m



Louvre Roof

The Pergola Range roofing system uses flat-ceiling Louvre Blades, with anti-sagging design for strong waterproofness. The Louvre Blades can be rotated between 0° to 85°. So whether you want protection from the sun, rain, and snow, or whether you want to allow a beautiful breeze though, your pergola roof has the ability meet any of your shading needs.



0° (Closed) - 85° (Opened)

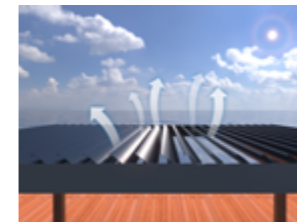
Manual Roof Control System
Manual Hand Crank



Motorised Roof Control System
Remote Control



Air Ventilation



Waterproof



Snowproof (up to 30cm)



UV Protection



Frame Colour



RAL7016
Anthracite Grey



RAL Value
7016

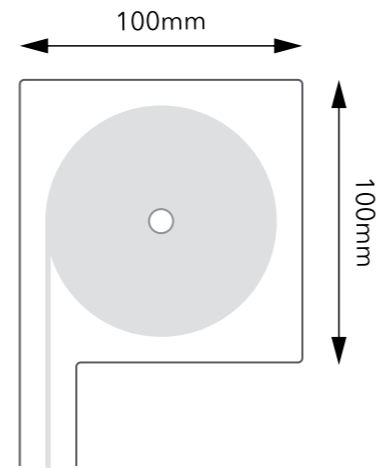
Colour Name
Anthracite Grey

Pantone:
PMS 433

LRV (Light Reflection Value):
8.07

Optional Accessories

Pergola Zip Screen



Cassette Size
100mm x 100mm

Add extra shade to your Pergola setup with Extreme Marquees Pergola Zip Screens! Available in 3m or 4m, they are a perfect addition to the E2000 Pergolas. Adding extra shade, privacy, and protection against the elements never looked so stylish!

Available Sizes	3m	4m
Length x Height	2.62m x 2.3m	3.8m x 2.3m
Fabric Height	850mm (Min) 2900mm (Max)	
Cassette	100mm x 100mm x 1.5mm	
Side Rail	39mm x 49mm x 1.6mm	
Bottom Rail	258mm x 26mm x 1.7mm	
Roller Tube	63mm Tube	
Winding Mechanism	Spring System	
Frame Colour	Powder Coated RAL 7016 Anthracite Grey	
Fabric	10% Light Grey	
Certification	ROHS	

Manual Control System

Spring System



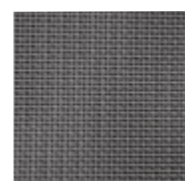
Frame Colour

RAL 7016 Anthracite Grey



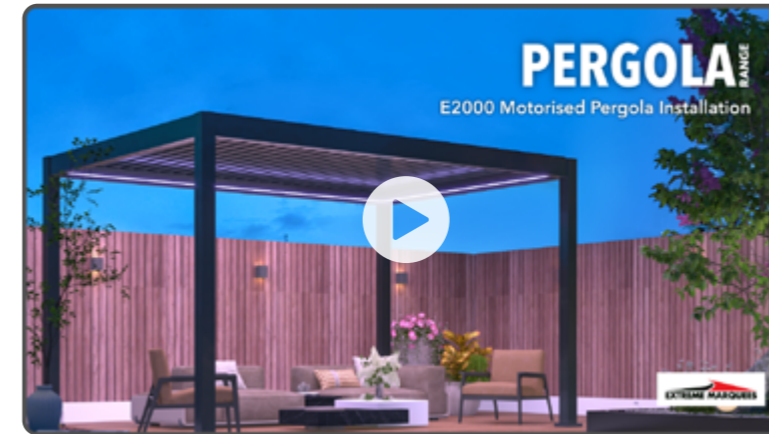
Fabric & Openness Factor

10% Light Grey



Resources

Instructions



E2000 Motorised Pergola Installation

<https://vimeo.com/927337731>



AUSTRALIA P 1300 850 832

admin@extreme-marquees.com.au

3 Bailey Court, Brendale,
Queensland, Australia 4500

SHOP ONLINE www.extreme-marquees.com.au

NEW ZEALAND P 0800 424 313

admin@extrememarquees.co.nz

2-37 Glenmore Drive, Warkworth,
Auckland, New Zealand 0910

SHOP ONLINE www.extrememarquees.co.nz

