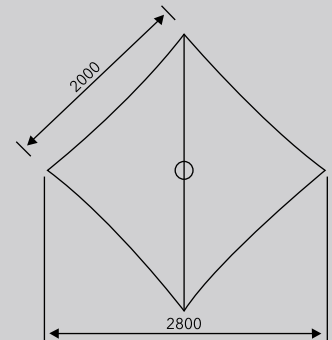
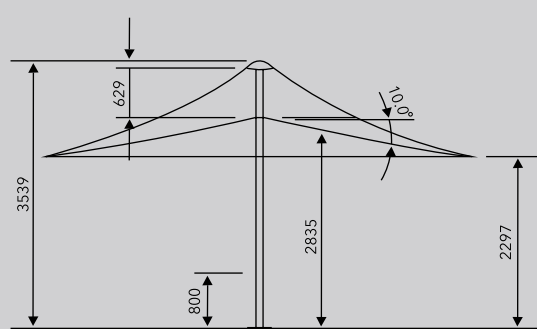
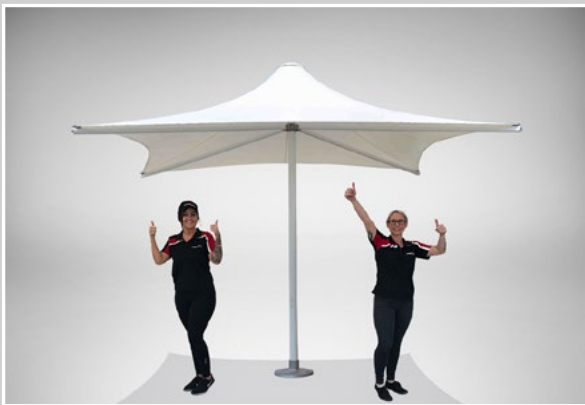


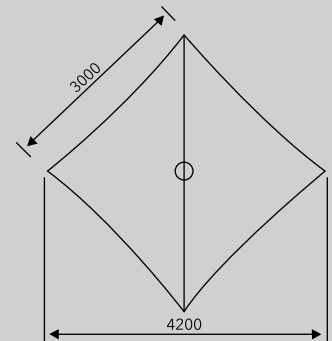
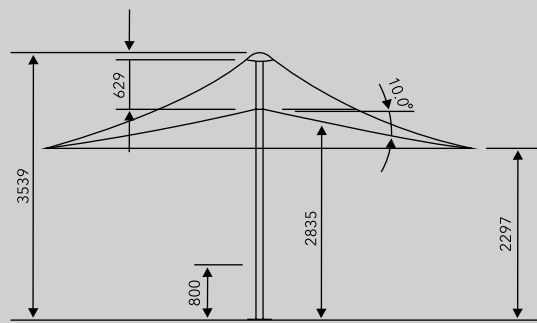
Extreme Marquees range of Cafe Umbrellas are both contemporary and strong. The heavy duty PVC is waterproof, rated UV 50 + and has fire retardant. The heavy duty aluminium umbrella frame is strong and robust and will stand up to adverse weather conditions. Café Umbrella canopies can be made in a variety of colours depending on the visual outcome you are wanting to achieve. Café Umbrellas are available in 2x2, 3x3 and 4x4 metres. Also available are integrated lighting systems and heaters.

SIZE	HEIGHT mm	CLEARANCE mm	DIAMETER mm	WEIGHT kg	FABRIC (PVC)	PRINTING	POLE	POLE DIAMETER mm	WIND SPEED OPEN	WIND SPEED CLOSED
2m	3539	2297	2800	85	800GSM	4 Panel	Powder Coated Aluminium	90	112km/h	148km/h
3m	3539	2297	4200	89	800GSM	4 Panel	Powder Coated Aluminium	90	112km/h	148km/h
4m	3539	2297	5560	96	800GSM	4 Panel	Powder Coated Aluminium	90	112km/h	148km/h

2m Cafe Umbrella



3m Cafe Umbrella



4m Cafe Umbrella

